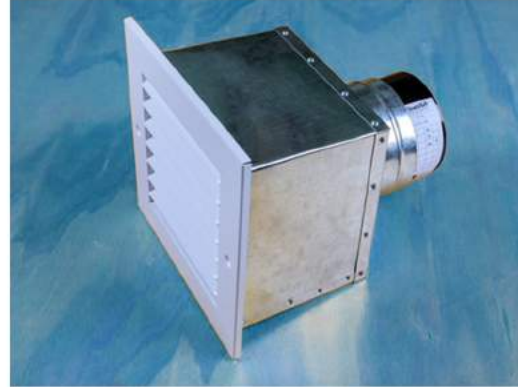
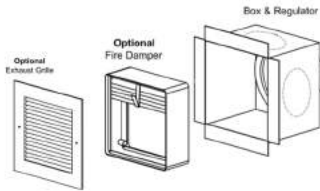


SUBMITTAL DATA

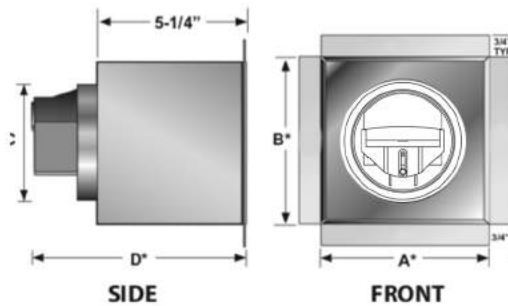
eFlow-Constant Airflow Regulator (CAR) Wall Mounting Box



eFlow-CAR Application and Design

eFlow-CAR is factory set Constant Airflow Regulator designed to save significant amount of energy and money by precisely controlling airflow into or out of space, regardless of static pressure, and all along providing high Indoor Air Quality (IAQ). eFlow CAR is composed of fire resistant ABS plastic. It contains a self regulating aero-wing and spring piston design to maintain a factory preset air flow. These CAR's are designed to operate in pressure range Low Pressure (.08"- .4" w.c.), Standard Pressure (.0.2"-1" w.c) and High Pressure (0.6"-2.4" w.c). They automatically adjust for variable duct pressures caused by building pressure, thermal stack effect, dust build up and other variable factors. This Constant Airflow Regulator creates cost effective answer to balancing air systems for HVAC and ventilation in high rise buildings, without the requirement for on-site balancing, electrical/pneumatic controls or sensors. eFlow-CAR may contribute to meeting USGBC LEED Building Certification. eFlow CAR requires no maintenance under normal conditions.

Dimensions



SLEEVE SIZE* (NOMINAL)	REGULATOR (NOMINAL)	A	B	C	D	GRILLE FACE
6" x 6"	3"	5.6"	5.6"	3"	6.8"	7.5" x 7.5"
6" x 6"	4"	5.6"	5.6"	4"	7.1"	7.5" x 7.5"
6" x 6"	5"	5.6"	5.6"	5"	8.2"	7.5" x 7.5"
6" x 6"	6"	5.6"	5.6"	6"	8.2"	7.5" x 7.5"
8" x 8"	3"	7.6"	7.6"	3"	6.8"	9.5" x 9.5"
8" x 8"	4"	7.6"	7.6"	4"	7.1"	9.5" x 9.5"
8" x 8"	5"	7.6"	7.6"	5"	8.2"	9.5" x 9.5"
8" x 8"	6"	7.6"	7.6"	6"	8.2"	9.5" x 9.5"
8" x 8"	8"	7.6"	7.6"	8"	7.9"	9.5" x 9.5"
10" x 10"	3"	9.6"	9.6"	3"	6.8"	11.5" x 11.5"
10" x 10"	4"	9.6"	9.6"	4"	7.1"	11.5" x 11.5"
10" x 10"	5"	9.6"	9.6"	5"	8.2"	11.5" x 11.5"
10" x 10"	6"	9.6"	9.6"	6"	8.2"	11.5" x 11.5"
10" x 10"	8"	9.6"	9.6"	8"	7.9"	11.5" x 11.5"
10" x 10"	10"	9.6"	9.6"	10"	8.3"	11.5" x 11.5"
12" x 12"	3"	11.6"	11.6"	3"	6.8"	13.5" x 13.5"
12" x 12"	4"	11.6"	11.6"	4"	7.1"	13.5" x 13.5"
12" x 12"	5"	11.6"	11.6"	5"	8.2"	13.5" x 13.5"
12" x 12"	6"	11.6"	11.6"	6"	8.2"	13.5" x 13.5"
12" x 12"	8"	11.6"	11.6"	8"	7.9"	13.5" x 13.5"
12" x 12"	10"	11.6"	11.6"	10"	8.3"	13.5" x 13.5"

eFlow-CAR Wall Mounting Box

eFlow-CAR is inserted in a heavy-gauge galvanized steel enclosure that is designed to accommodate installation of curtain-type fire dampers and standard aluminum return air grilles. Each enclosure is welded to prevent leakage. The Mounting Box is sized to fit inside standard duct riser openings and chases. Custom sizes are available. Each enclosure is designed to specifically accommodate the control element and prevent unwanted air leakage.

Options

- Fire Damper
- Aluminum Grille
- Retrofit Gasket
- Side inlet (no fire damper)
- Top inlet (no fire damper)

* Standard sizes shown. Sleeve assemblies are also available to accommodate any duct damper and grille size. Contact eFlow USA.

Job Name: _____

Location: _____

Architect: _____

Engineer: _____

Contractor: _____

eFlow-Constant Airflow Regulator(CAR) (Supply, Exhaust)

DRAWN BY: IL	DATE:	REV. DATE:	REV. NO.	APPROVED BY: EL	DWG. NO.:
------------------------	-------	------------	----------	---------------------------	-----------