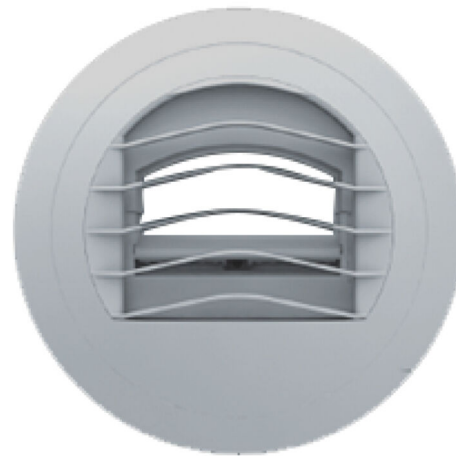


PRODUCT OVERVIEW

eFlow-Alize is a 2 in 1 Constant Airflow Regulator (CAR) and Grille combo. This is a new generation of self adjusting CARs which provides the perfect match between high technical performance and aesthetic design. This innovative technology offers two models: single airflow and dual airflow. eFlow-Alize CAR is factory set Constant Airflow Regulator designed to save energy by precisely controlling airflow regardless of static pressure, and all along providing high Indoor Air Quality (IAQ). These CARs are designed to operate is pressure range 0.2" w.c. to 0.6" w.c. They automatically adjust for variable duct pressure caused by building pressure, thermal stack effect and other variable factors. This Constant Airflow Regulator creates cost effective answer to balancing air systems for HVAC and ventilation in high rise buildings, without the requirement of on-site balancing, electric controls or sensors.

PRODUCTS FACTS

- 2 in 1 CAR and Grille design
- 5" diameter
- 2 flow options: single airflow and dual airflow
- Exhaust application
- Pressure range 0.2" w.c. to 0.6" w.c.
- Factory calibrated
- Automatic airflow balancing
- Energy cost efficient
- Easy installation
- Easy to remove
- Easy to clean
- Washable
- No electricity required
- No sensors
- Low noise performance
- Reliable
- Precise



FRONT VIEW



SIDE VIEW

Job Name:						
Location:						
Architect:						
Engineer:						
Contractor:						
DRAWN BY: IL	DATE:	REV. DATE:	REV. NO.	APPROVED BY: EL	DWG. NO.:	

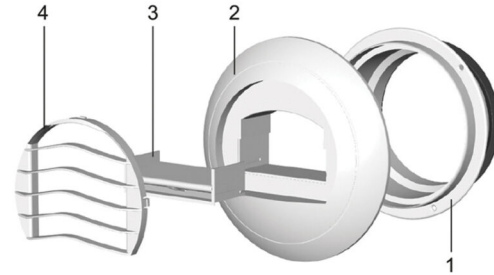
PRODUCT DESIGN

eFlow-Alize Constant Airflow Regulator (CAR) designed to operate is pressure range 0.2" w.c. and 0.6" w.c. minimum / maximum airflow is controlled via single cord.

Single Airflow CAR

Available with the following CFM settings: 9, 18, 26, 35, 44, 53, 71, 90

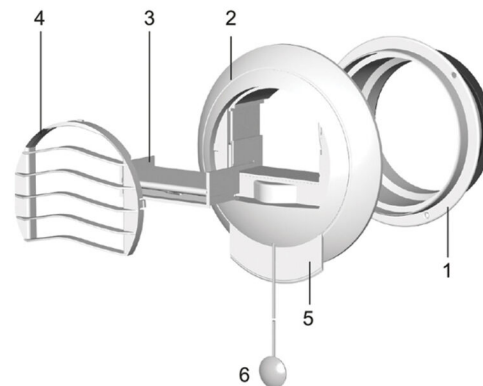
1. 5" sleeve with gasket
2. Body
3. Control module
4. Removable, washable grille



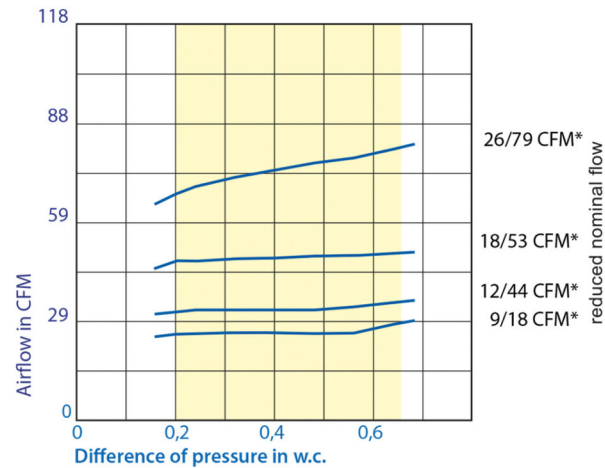
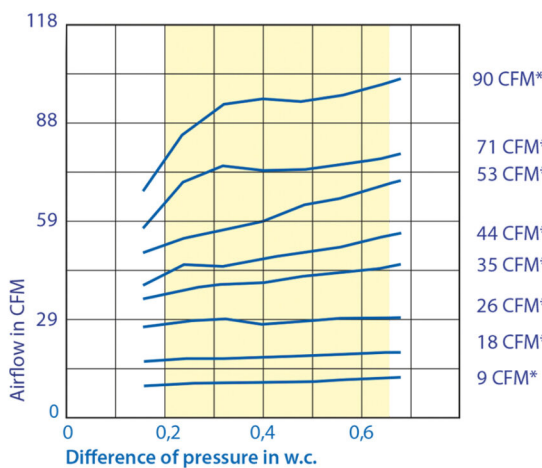
Dual Airflow CAR

Available with the following CFM settings: 9/18, 12/44, 18/53, 26/62, 26/70, 26/79

1. 5" sleeve with gasket
2. Body
3. Control module
4. Removable, washable grille
5. Flap indicating supplementary airflow
6. Minimum/Maximum airflow operating cord



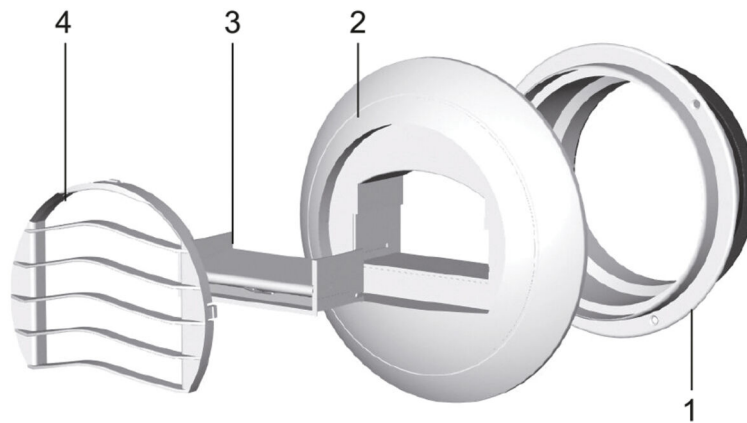
SINGLE AND DUAL AIRFLOW CHARTS



MAINTENANCE

eFlow-Alize Constant Airflow Regulator (CAR) must be periodically cleaned in order to retain its maximum performance:

- Remove grille (4) and control module (3) from the casing
- Clean using soapy water without dismantling any of the regulation module
- Refit the parts in the casing



WARRANTY

Warranty is guaranteed for six (6) years, from the date of shipment, against all defects in material, given that the material has been installed and used under normal conditions. The warranty is limited to the repair or replacement of material.