

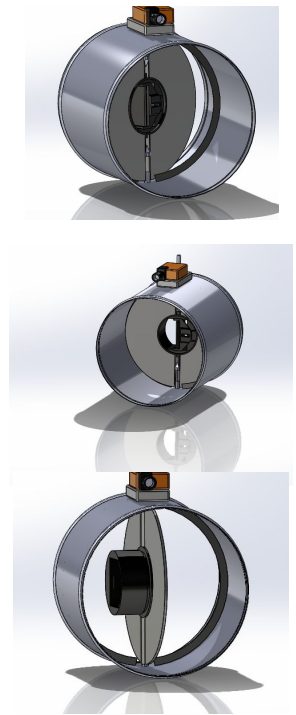
## PRODUCT OVERVIEW

**eFlow-CAR Dual Flow Dampers (e2Flow®)** are self-regulating motorized dampers designed to introduce flexibility and dynamic control in central ventilation systems. The module opens and closes via a blade controlled by Belimo actuator, eliminating the need for expensive electronic control systems. e2Flow is available in 6", 8", 10", 12" diameter. e2Flow features built in eFlow-CAR to allow for minimum controlled airflow. It combines low-flow and on-demand high-flow ventilation while using the same central fan system. In the "off cycle" position, the factory-calibrated eFlow-CAR allows for steady, low-flow ventilation (min setting). In the "on cycle", the maximum flow rate is allowed. eFlow-CARs are factory set Constant Airflow Regulators that are designed to save a significant amount of energy by precisely controlling airflow into or out of a space. This is done regardless of static pressure. The use of eFlow CARs helps ensure High Indoor Air Quality (IAQ). eFlow-CARs are composed of UL94V-0 ABS plastic and are UL 2043 safety classified (labeled for flame and smoke generation). They feature a self-regulating aero-wing and spring piston design to maintain factory preset air flows. For more information about eFlow-CAR please visit [www.eflowusa.net](http://www.eflowusa.net)



## e2Flow® FACTS

- Diameters offered: 6", 8", 10", 12"
- Operating Pressure Range: 0.2" w.c. to 2.4" w.c. (see page 2)
- Two position pressure-independent damper with integrated eFlow-CAR
- Minimum airflow settings: 10-295 CFM (see page 2)
- Field adjustable CFM setpoint
- Suitable for both supply and exhaust applications
- Maximum operating temperature: 180° F
- Operated by Belimo actuator: 24V or 120V
- Galvanized steel casing
- Closed position (off cycle/default) airflow is delivered via built-in CAR (min flow)
- Open position (on cycle) the blade is fully open (max flow)
- eFlow-CARs are composed of UL94v-0 ABS plastic
- eFlow-CARs are UL2043 classified
- Easy In-Line installation (no mounting hardware or additional support required)
- Maintenance free and corrosion-proof under normal conditions
- Patent pending
- Made in USA
- Warranty guaranteed for (5) years\*



**MADE IN  
USA**

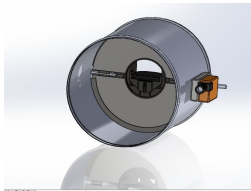
**5 year  
warranty**



**Patent  
Pending**

**INSTALLATION / WIRING INSTRUCTIONS**

- e2Flow offers easy in-line installation. There is no mounting hardware or additional support required.
- e2Flow has unidirectional application and must be installed in accordance with the airflow direction arrow as shown on the device.
- It is recommended to install e2Flow with an actuator between 1 and 4 o'clock position. (see picture)



- All electrical wiring should be performed according to Belimo electrical installation instructions.  
[https://www.belimo.com/mam/Datasheets/en-us/belimo\\_LMX120-3\\_datasheet\\_en-us.pdf](https://www.belimo.com/mam/Datasheets/en-us/belimo_LMX120-3_datasheet_en-us.pdf)

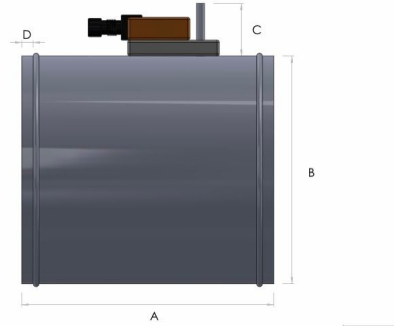
**MAINTENANCE**

e2Flow needs no maintenance when used in normal conditions.

**WARRANTY**

**5 Year Warranty** from date of shipment, against all manufacturing defects, provided the material has been installed and operated per manufacturer's instructions and under normal conditions. Warranty is limited to the repair or replacement of the material upon its return freight paid to our warehouse. The warranty is limited to the original end user.

Job name:
Location:
Engineer:
Contractor:



Pressure Range: 0.2" w.c. to 1" w.c.						
e2Flow® Diameter	Min. Airflow Range off cycle/default	A	B	C	D	Weight
<input type="checkbox"/> 6"	10-30 CFM	8 1/2"	6"	3 7/8"	1 1/2"	2.0lb
<input type="checkbox"/> 8"	10-30 CFM	8 1/2"	8"	3 7/8"	1 1/2"	2.5lb
<input type="checkbox"/> 8"	30-60CFM	8 1/2"	8"	3 7/8"	1 1/2"	2.5lb
<input type="checkbox"/> 10"	10-30 CFM	8 1/2"	10"	3 7/8"	1 1/2"	6.5lb
<input type="checkbox"/> 10"	30-60 CFM	8 1/2"	10"	3 7/8"	1 1/2"	6.5lb
<input type="checkbox"/> 10"	60-105 CFM	8 1/2"	10"	3 7/8"	1 1/2"	6.5lb
<input type="checkbox"/> 12"	10-30 CFM	8 1/2"	12"	3 7/8"	1 1/2"	8.0lb
<input type="checkbox"/> 12"	30-60 CFM	8 1/2"	12"	3 7/8"	1 1/2"	8.0lb
<input type="checkbox"/> 12"	60-105 CFM	8 1/2"	12"	3 7/8"	1 1/2"	8.0lb
<input type="checkbox"/> 12"	105-175 CFM	8 1/2"	12"	3 7/8"	1 1/2"	8.0lb

Pressure Range: 0.6" w.c. to 2.4" w.c.						
e2Flow® Diameter	Min. Airflow Range off cycle/default	A	B	C	D	Weight
<input type="checkbox"/> 6"	15-53 CFM	8 1/2"	6"	3 7/8"	1 1/2"	2.0lb
<input type="checkbox"/> 8"	15-53 CFM	8 1/2"	8"	3 7/8"	1 1/2"	2.5lb
<input type="checkbox"/> 8"	53-100 CFM	8 1/2"	8"	3 7/8"	1 1/2"	2.5lb
<input type="checkbox"/> 10"	15-53 CFM	8 1/2"	10"	3 7/8"	1 1/2"	6.5lb
<input type="checkbox"/> 10"	53-100 CFM	8 1/2"	10"	3 7/8"	1 1/2"	6.5lb
<input type="checkbox"/> 10"	105-176 CFM	8 1/2"	10"	3 7/8"	1 1/2"	6.5lb
<input type="checkbox"/> 12"	15-53 CFM	8 1/2"	12"	3 7/8"	1 1/2"	8.0lb
<input type="checkbox"/> 12"	53-100 CFM	8 1/2"	12"	3 7/8"	1 1/2"	8.0lb
<input type="checkbox"/> 12"	105-176 CFM	8 1/2"	12"	3 7/8"	1 1/2"	8.0lb
<input type="checkbox"/> 12"	176-295 CFM	8 1/2"	12"	3 7/8"	1 1/2"	8.0lb

- 24V
- 120 V

## e2Flow® DESIGN

